

CPVC Pipe & Threaded Fittings

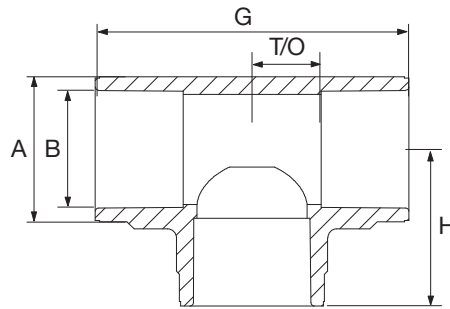
CPVC Fittings

Tee Equal



Sizes	DN20 thru DN80 (3/4" thru 3")
Approvals	UL, C-UL Listed & FM, MEA, NSF, & LPCB Approved
Rated Pressure	12,1 bar (175 psi)
Maximum Temperature Rating	65°C (150°F).
Tech Data Sheet	TFP1915 and Installation Handbook - IH-1900

Manufactured with Lubrizol's BLAZEMASTER® compound ■ Produced from BlazeMaster® thermoplastic compound, RAPID RESPONSE CPVC fittings are designed exclusively for use in wet and dry pipe automatic fire sprinkler systems. ■ Our CPVC is easier to install than traditional steel components, while providing superior heat resistance and strength compared to traditional CPVC and PVC fitting materials.



CPVC Tee Equal												
Part No.	Size		A mm	H mm	G mm	T/O mm	Weight kg	Approval Listings				
	DN	In.						LPCB	FM	UL	MEA	NSF
80000	20	3/4"	33	36	72	16	0.05	✓	✓	✓	✓	✓
80001	25	1"	40	40	81	18	0.086	✓	✓	✓	✓	✓
80002	32	1-1/4"	50	48	95	22	0.118	✓	✓	✓	✓	✓
80003	40	1-1/2"	59	62	125	27	0.231	✓	✓	✓	✓	✓
80004	50	2"	72	75	150	36	0.408	✓	✓	✓	✓	✓
80005	65	2-1/2"	87	86	171	39	0.721	✓	✓	✓	✓	✓
80006A	80	3"	105	95	191	46	1.093	✓	✓	✓	✓	✓